

Trimble 2D Paving Control System for Pavers



PCS400 2D Paving Control System – Key Advantages

- The only large 2D paving display is easy to learn and operate
- Split screen option allows one operator to easily monitor both sides of the screed
- Uses the most accurate sensors in the industry
- 3D Upgradeable to Trimble PCS900, the best 3D system in the business
- One supplier for both 2D+3D prevents “who’s to blame” issues

Trimble PCS400 2D Paving Control System for Pavers

2D Configurations	Applications
Trimble® PCS400 Paving Control System with Single/Dual* CB440 Control Box and Dual Sonic Tracers	Appropriate for surface matching and delivering a smooth final surface. It also reduces the amount of asphalt used to meet the required depth.
Trimble PCS400 Paving Control System with Single/Dual CB440 Control Box and Dual Sonic Tracers + Cross Slope	Appropriate for surface matching and delivering a smooth final surface with slope control. It also reduces the amount of asphalt used to meet the required depth.
Trimble PCS400 Paving Control System with Single/Dual CB440 Control Box and Dual Sonic Averaging Beam + Cross Slope	Appropriate for surface matching and delivering a smooth final surface with slope control. It also reduces the amount of asphalt used to meet the required depth.
Trimble PCS400 Paving Control System with Single/Dual CB440 Control Box and Single Sonic + Sonic Averaging Beam + Cross Slope	Appropriate for surface matching and delivering a smooth final surface with slope control. It also reduces the amount of asphalt used to meet the required depth.

** The paver can be controlled easily from either one CB440 control box with one man or two CB440 control boxes with a two man operation.*

Trimble 3D Paving Control System for Pavers



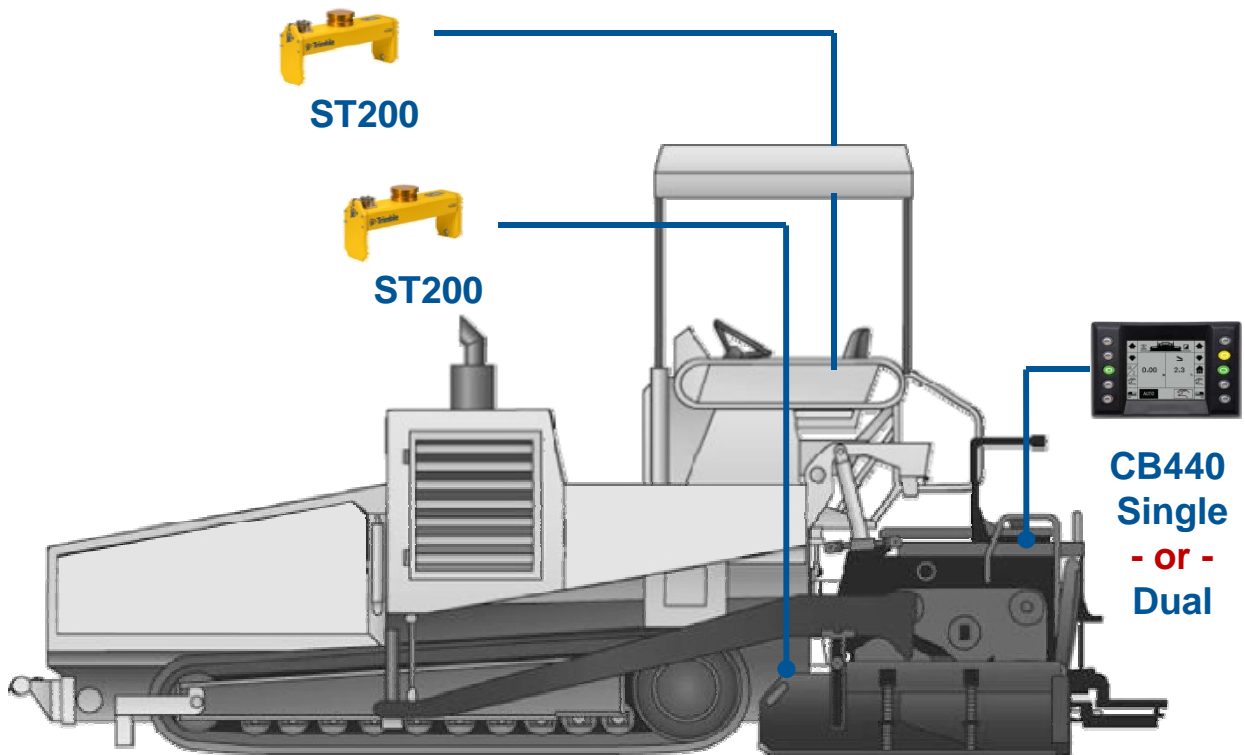
PCS900 3D Paving Control System – Key Advantages

- Avoid the cost and hassle of stringlines
- Minimizes the use of expensive asphalt material by controlling the grade mm precise
- Eliminates road waves for a smoother surface
- Best 3D control solution for real mm accuracy and reliable tracking
- Compatible with Trimble, MOBA and Cat 2D systems.

Trimble PCS900 3D Paving Control System for Pavers

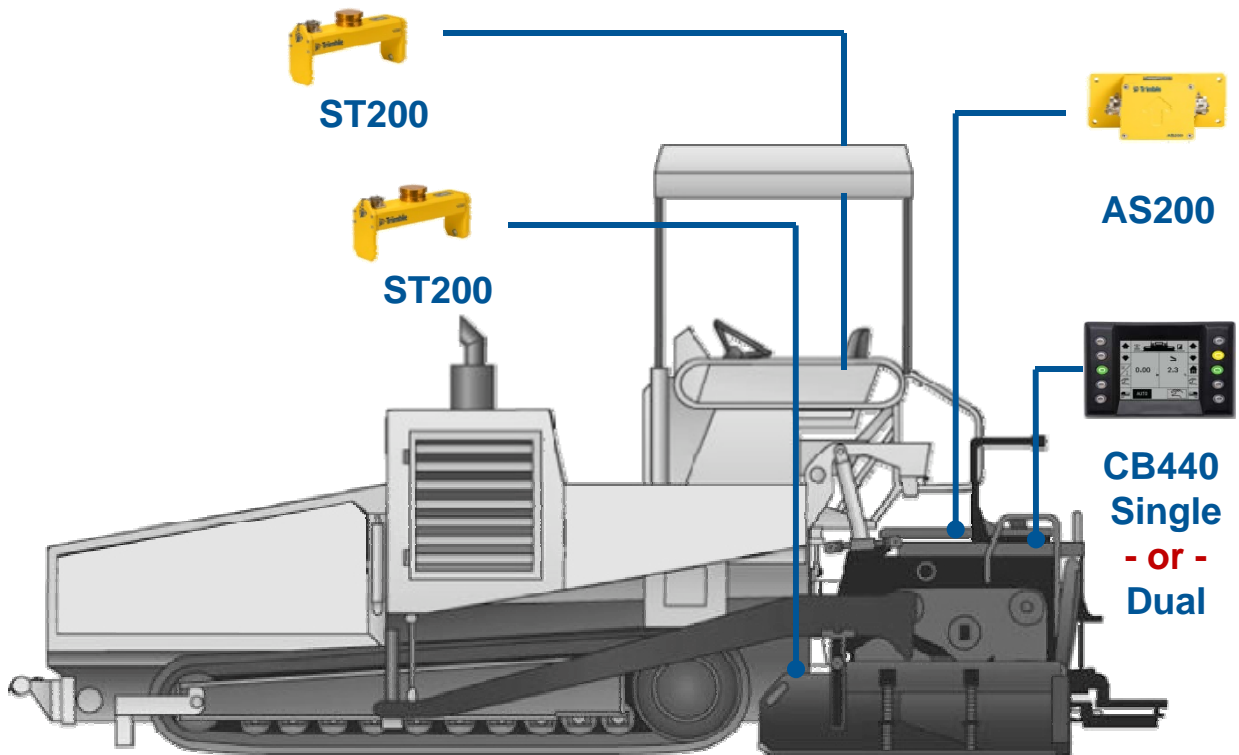
3D Configurations	Application
Trimble® PCS900 Paving Control System with Single/Dual CB440 + CB430 and Single Sonic +Slope + MT900 Machine Target	Uses a true 3D design to create the desired surface. Can be used for super elevated curves, complex designs, and eliminating string lines.
Trimble PCS900 Paving Control System with Single/Dual CB440 + CB430 and Sonic Averaging Beam + Slope + MT900 Machine Target	Uses a true 3D design to create the desired surface. Can be used for super elevated curves, complex designs, and eliminating string lines.
Trimble PCS900 Paving Control System with Single/Dual CB440 + CB430 and MT900 Machine Target + Cross Slope	Uses a true 3D design to create the desired surface. Can be used for super elevated curves, complex designs, and eliminating string lines.

Trimble PCS400 Paving Control System With Single/Dual CB440 Control Box and Dual Sonic Tracers

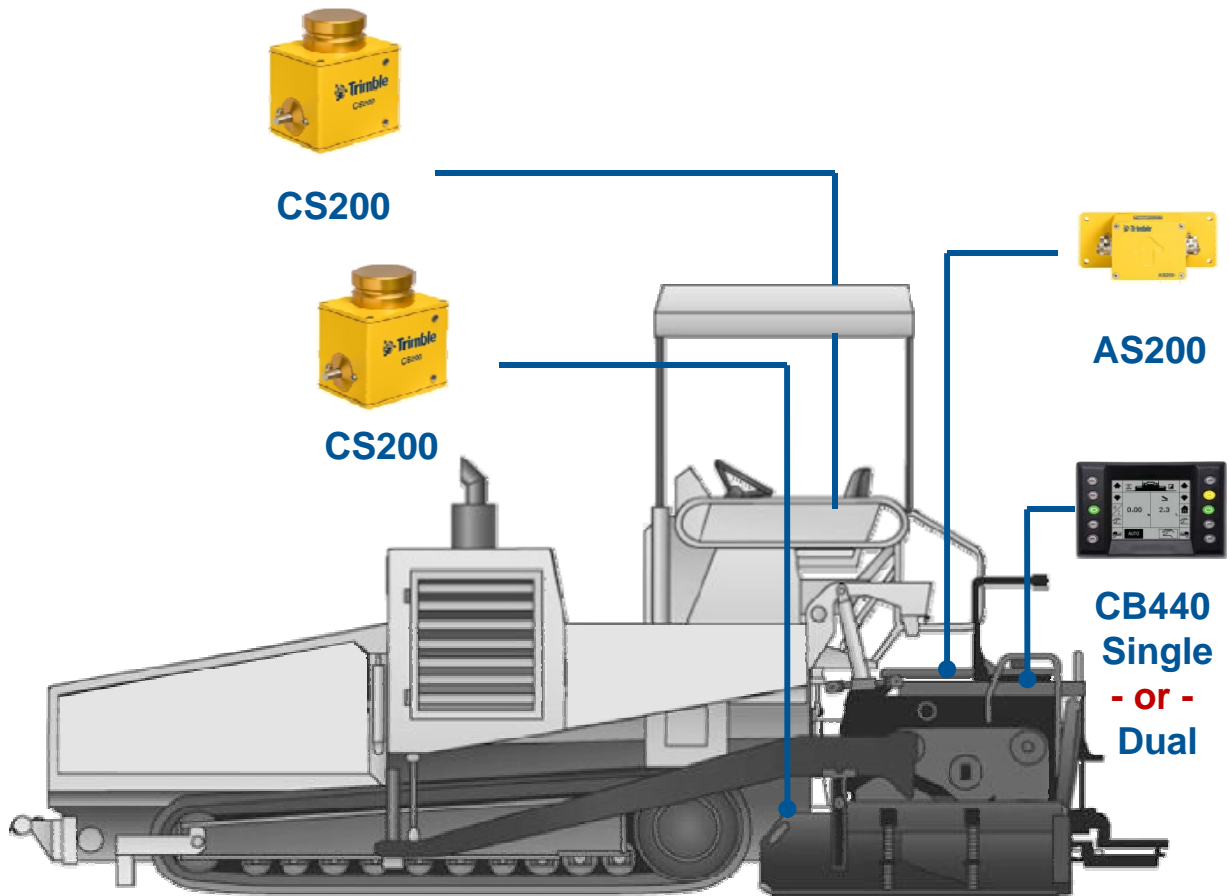


© 2010, Trimble Navigation Limited. All rights reserved. Trimble and the Globe & Triangle logo are trademarks of Trimble Navigation Limited, registered in the United States Patent and Trademark Office and in other countries. All other trademarks are the property of their respective owners. PN 022482-2086 (04/10)

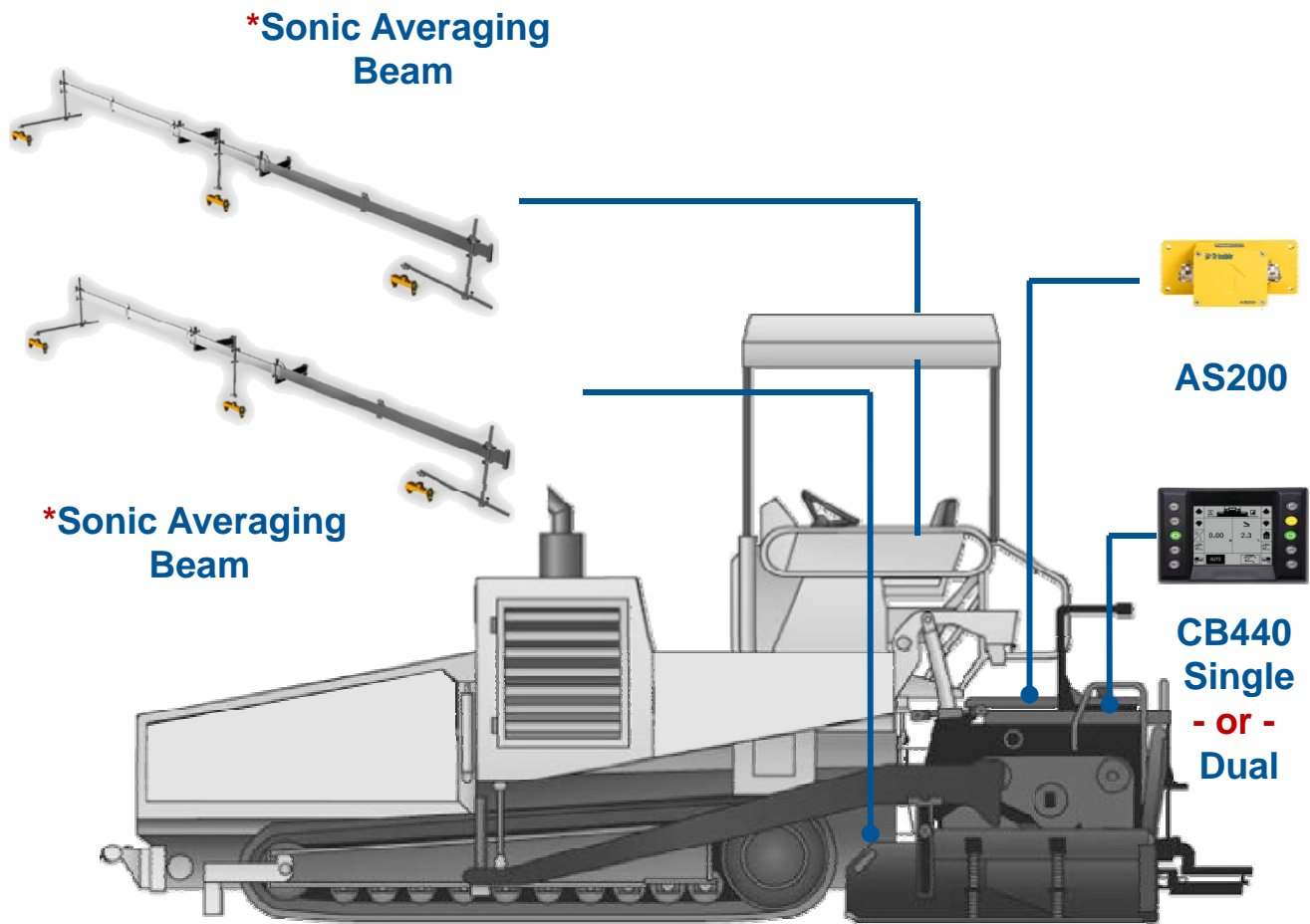
Trimble PCS400 Paving Control System With Single/Dual CB440 Control Box and Dual Sonic Sensor + Cross Slope



Trimble PCS400 Paving Control System With Single/Dual CB440 Control Box and Dual Contact Sensor + Cross Slope

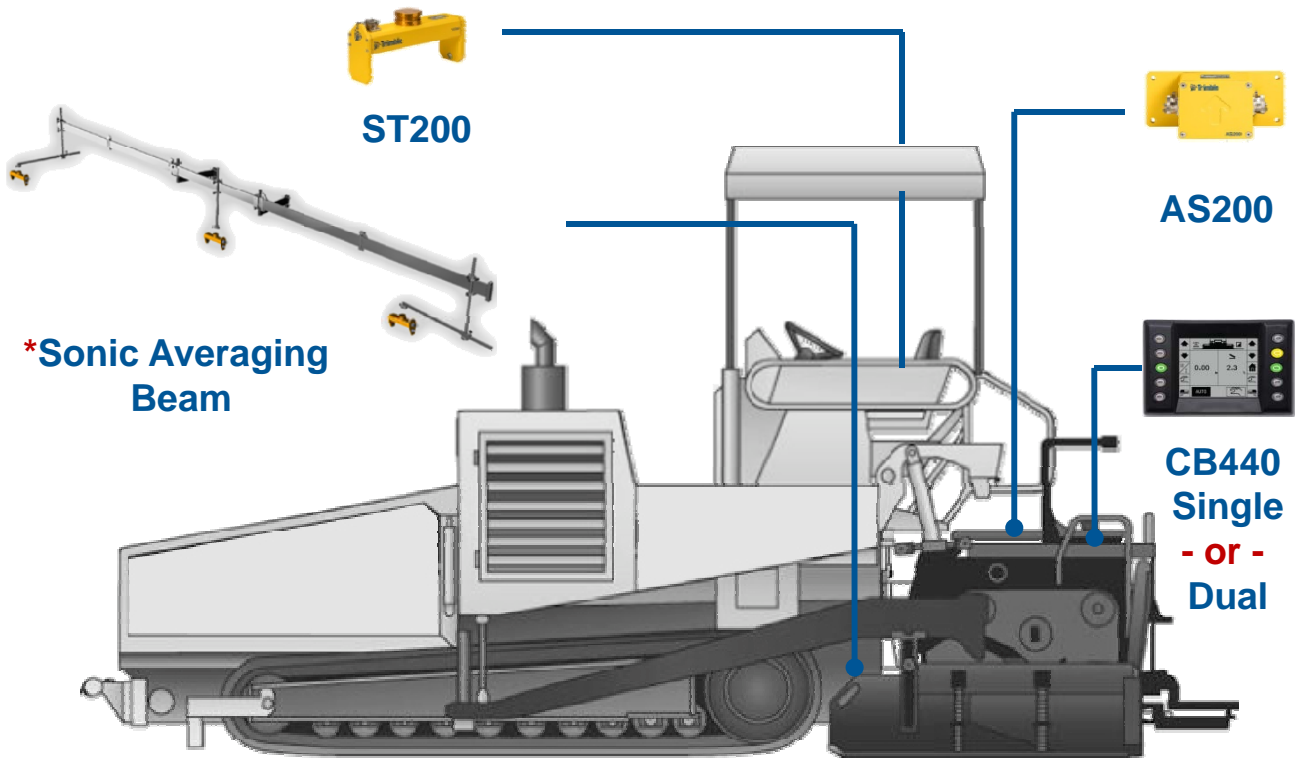


Trimble PCS400 Paving Control System With Single/Dual CB440 Control Box and Dual Sonic Averaging Beam + Cross Slope



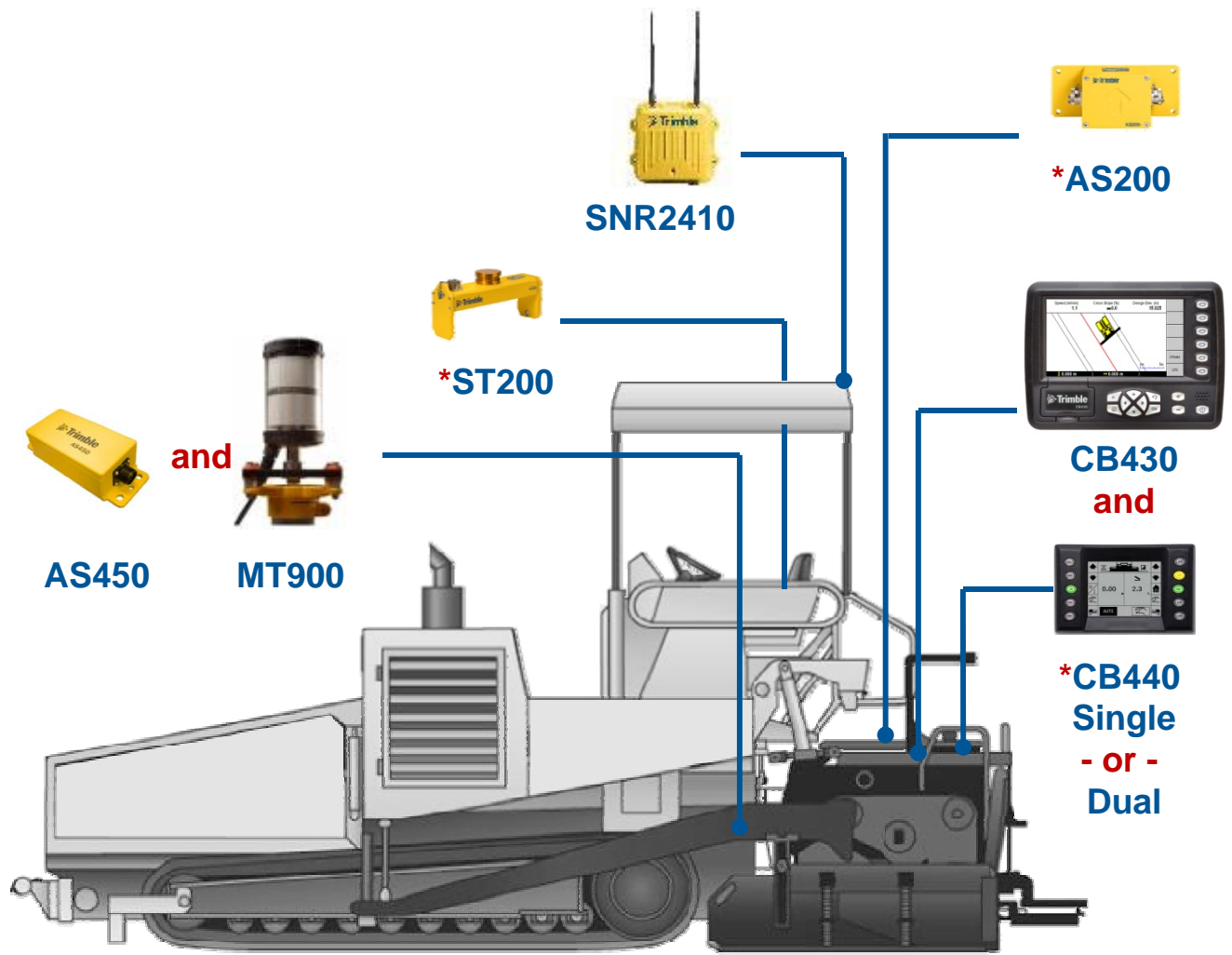
** Depicted is the European sonic averaging beam, the North American version has a different design*

Trimble PCS400 Paving Control System With Single/Dual CB440 Control Box and Single Sonic + Sonic Averaging Beam + Cross Slope



** Depicted is the European sonic averaging beam, the North American version has a different design*

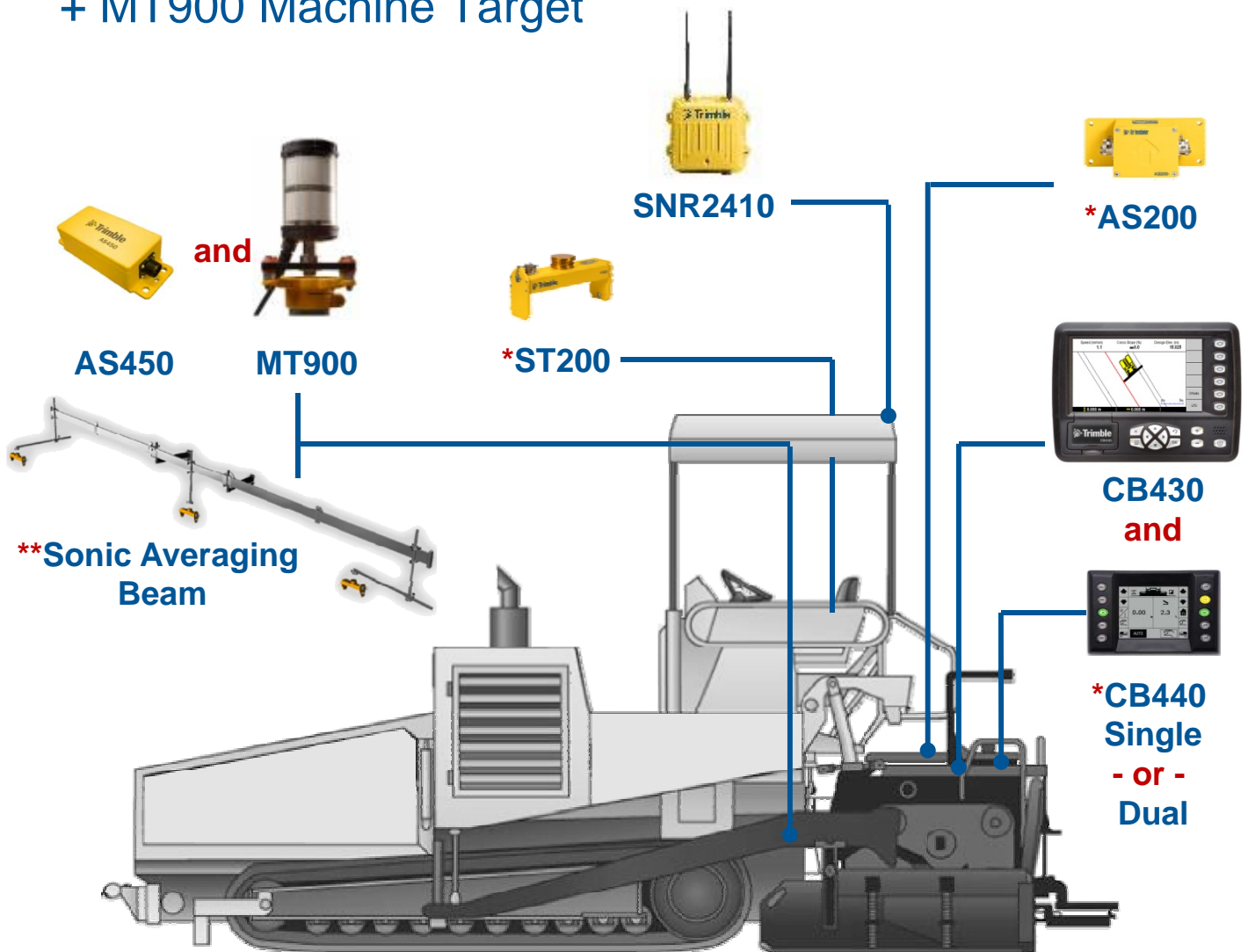
Trimble PCS900 Paving Control System With Single/Dual CB440 + CB430 and Single Sonic + Slope + MT900 Machine Target



* The 2D Components (CB440, AS200 and ST200) can be replaced by a MOBA-Matic or Cat branded 2D system

© 2010, Trimble Navigation Limited. All rights reserved. Trimble and the Globe & Triangle logo are trademarks of Trimble Navigation Limited, registered in the United States Patent and Trademark Office and in other countries. All other trademarks are the property of their respective owners. PN 022482-2086 (04/10)

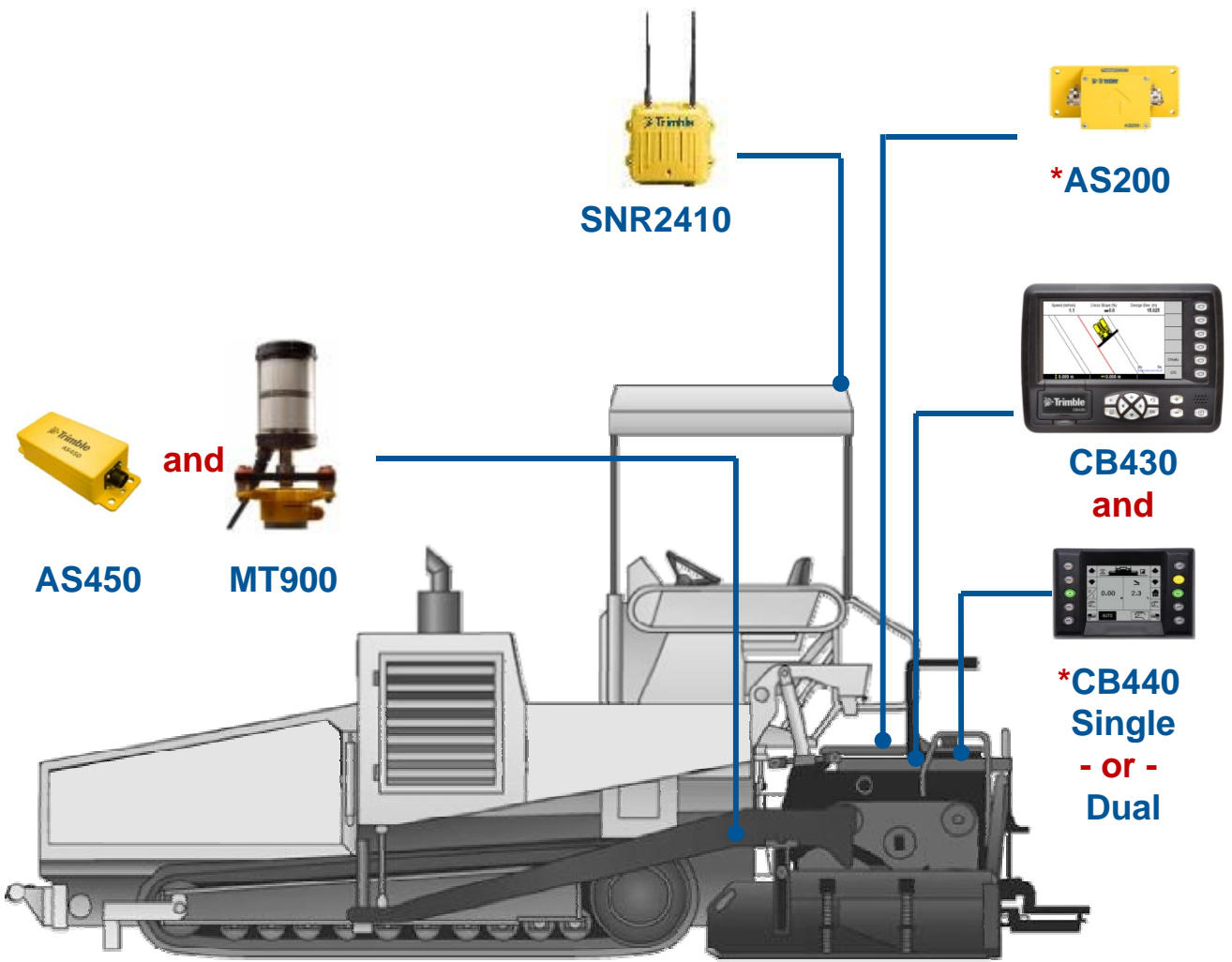
Trimble PCS900 Paving Control System With Single/Dual CB440 + CB430 and Single Sonic + Slope + MT900 Machine Target



* The 2D Components (CB440, AS200 and ST200) can be replaced by a MOBA-Matic or Cat branded 2D system

** Depicted is the European sonic averaging beam, the North American version has a different design

Trimble PCS900 Paving Control System With Single/Dual CB440 + CB430 and MT900 Machine Target + Cross Slope



** The 2D Components (CB440, AS200 and ST200) can be replaced by a MOBA-Matic or Cat branded 2D system*

© 2010, Trimble Navigation Limited. All rights reserved. Trimble and the Globe & Triangle logo are trademarks of Trimble Navigation Limited, registered in the United States Patent and Trademark Office and in other countries. All other trademarks are the property of their respective owners. PN 022482-2086 (04/10)

Trimble PCS900 Paving Control System

Off Machine Infrastructure



**For PCS900
with the MT900**



**SPSx30 Universal
Total Station**

© 2010, Trimble Navigation Limited. All rights reserved. Trimble and the Globe & Triangle logo are trademarks of Trimble Navigation Limited, registered in the United States Patent and Trademark Office and in other countries. All other trademarks are the property of their respective owners. PN 022482-2086 (04/10)